



Solutions for  
swing gates

**GENIUS**<sup>®</sup>



# From ideas to automated system

Genius is a FAAC Group brand which designs and manufactures client-focused automated systems.

The skill and experience of Genius, coupled with the cutting-edge technology structures of the industry-leading Group in which it plays a key role, tangibly set Genius apart from competitors, and allows it to offer **unrivalled quality of products** and services.

This is why  
choosing Genius means ensuring  
**reliability** and **safety**

- **Extensive range:** products for every application requirement with an excellent quality/price ratio.
- **Tests on all products:** all products are 100% tested and approved.
- Products **which are easy to install**, thanks to technologies like G-Way (Bus technology), and **safe**, thanks to devices like the virtual encoder.
- **Comprehensive** technical, commercial and marketing support.
- Complimentary, multilevel technical **refresher courses**.
- A rapid and efficient **technical support** Service.
- **Complete support** in achieving conformity with European safety standards.

# GENIUS SAFE GATE PROJECT

For a world of automation with total peace of mind.

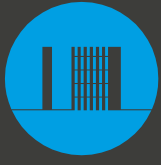


**GENIUS**<sup>®</sup>

The **GENIUS SAFE GATE PROJECT** represents a new way of approaching the world of automated systems in compliance with the standards of the current European Directive on safety (MD 2006/42/EC).

The GENIUS SAFE GATE PROJECT programme suggests automated electromechanical systems (with 230VAC or 24VDC voltage), which, thanks to the use of advanced electronic control boards and devices such as the new PROcoder absolute encoder, allow users to build fully-compliant systems as well as updating existing systems, without the need to replace the automated devices.





Automated systems for  
**SLIDING GATES**

Selection

**GUIDE**

# Blizzard 230V



integrated encoder



Simple release device with key (optional)

Die-cast aluminium basement

## GEARMOTOR FOR SLIDING GATES

- Available versions: 230V for gates up to 500-900 Kg.
- Sturdy inner kinematic mechanism.
- Magnetic Limit Switches.
- Electronic control board with transparent plastic enclosure and external programming buttons.
- Huge selection of operating logics and working parameters.
- Compact dimensions.
- Big internal space for wiring; easy operator height and depth installation adjustments.

Code	Name	Version	Voltage	Leaf Weight	Use
61100821	Blizzard 500 C ENC	Non-reversible - Sprint 382 on board	230V	500 kg	Residential/Condominium
61100861	Blizzard 900 C ENC	Non-reversible - Sprint 382 on board	230V	900 kg	Residential/Condominium

## OPERATOR DIMENSIONS

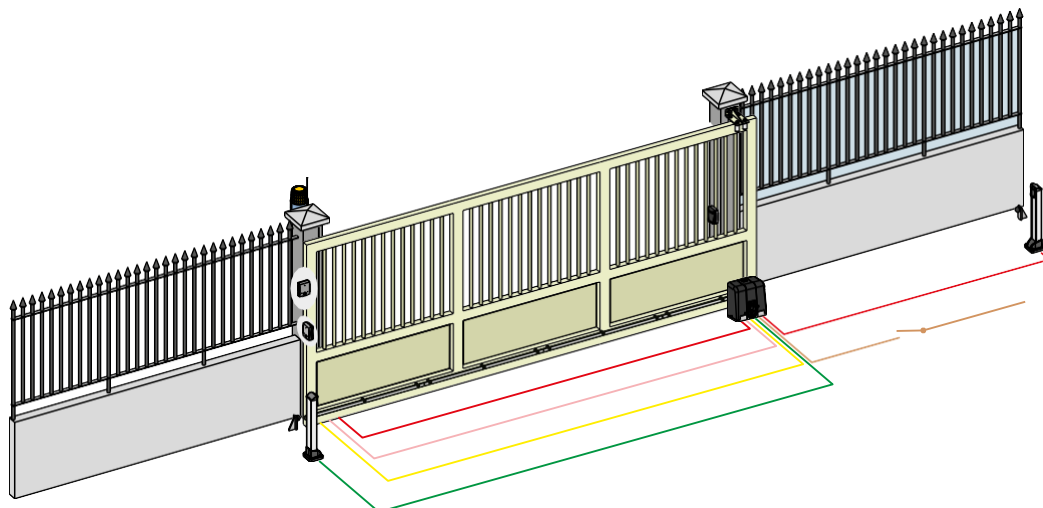


Technical Specifications	Blizzard 500 C ENC	Blizzard 900 C ENC
Power supply (V)	230	
Electric motor (V)	230	
Nominal power (W)	360	540
Thermal Protection (°C)	140 (self-resetting)	
Capacitor (µF)	10	12,5
Max thrust force (N)	390	590
Type of pinion gear	Z16 mod.4	
Leaf speed (m/min)	12	
Frequency of use at 20°C	S3 - 40%	
Operating ambient temperature (°C)	-20 +55	
Protection class	IP44	
Weight (kg)	9,2	10

## CONTROL BOARDS

Sprint 382

Page 65



- Line .....3x1,5 mm<sup>2</sup>
- Flashing lamp ..... 2x1,5 mm<sup>2</sup>
- Selector..... 2x0,5 mm<sup>2</sup>
- TX photocells ..... 2x0,5 mm<sup>2</sup>
- RX photocells ..... 4x0,5 mm<sup>2</sup>

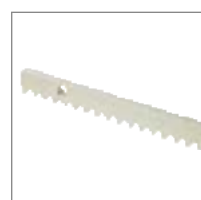
TYPICAL INSTALLATION EXAMPLE

Q.ty	Material description	Part number
1	BLIZZARD 500 C ENC Gearmotor with incorporated control board and encoder	61100821
1	Foundation Plate	737000
4 m	Galvanised Rack 30x12 with weld-on fittings	JA146
1	5-PIN one-channel receiver 868 MHz	6100352
1	Two-channels transmitter KILO TX2 JLC	6100332
1	230 V GUARD flashing lamp	6100052
1	VEGA Photocells	6100147
1	QUICK 1 key-operated selector for outdoor use	JA31101-15

Material to add in order to get the configuration as per Wiring Diagram

Q.ty	Material description	Part number
1	Pair of ORION photocells	JA310
2	Column for photocell	JA325
2	Foundation plate for column	JA328

ACCESSORIES



**RACK**  
1 m. in galvanized iron 30 x 12 mm<sup>2</sup>.

Code JA146



**NYLON RACK WITH STEEL CORE 30X20 MOD.4**  
pack of 4 pieces, 1 m ea.

Code 6100344



**SPACERS**  
Kit of 3 spacers and M8x30 screw-on fastening screws for 1 meters of iron rack<sup>2</sup>

Code JA147



**SPACERS**  
Kit of 3 spacers and M8x50 screw-on fastening screws for 1 meters of iron rack<sup>2</sup>

Code JA148



**SCREWS**  
Kit screw-in fastening screws for 1m of rack - 4 kit pieces (to be combined with code 6100344)

Code 6100345



**LOCK**  
Lock with personalized key

Code 424413



**FOUNDATION PLATE**

Code 737000



**ADAPTER PLATE BLIZZARD-MILORD**

Code 737001



**ADAPTER PLATE BLIZZARD - FALCON**

Code 737003

1 - 6 m package.  
2 - 6 kits package.



# Blizzard 24V



integrated encoder



Simple release device with key (optional)

Die-cast aluminium basement

## GEARMOTOR FOR SLIDING GATES

- Available versions for gates up to 400 kg.
- Complete movement control and effective reverse on obstacle response.
- Magnetic Limit Switches.
- Electronic control board with transparent plastic enclosure and external programming buttons.
- Huge selection of operating logics and working parameters.
- Compact dimensions.
- Big internal space for wiring; easy operator height and depth installation adjustments.

Code	Name	Version	Voltage	Leaf Weight	Use
6110080	BLIZZARD 400 C ENC	Non-reversible - Sprint M24 on board	24V	400 kg	Residential/Condominium

## OPERATOR DIMENSIONS

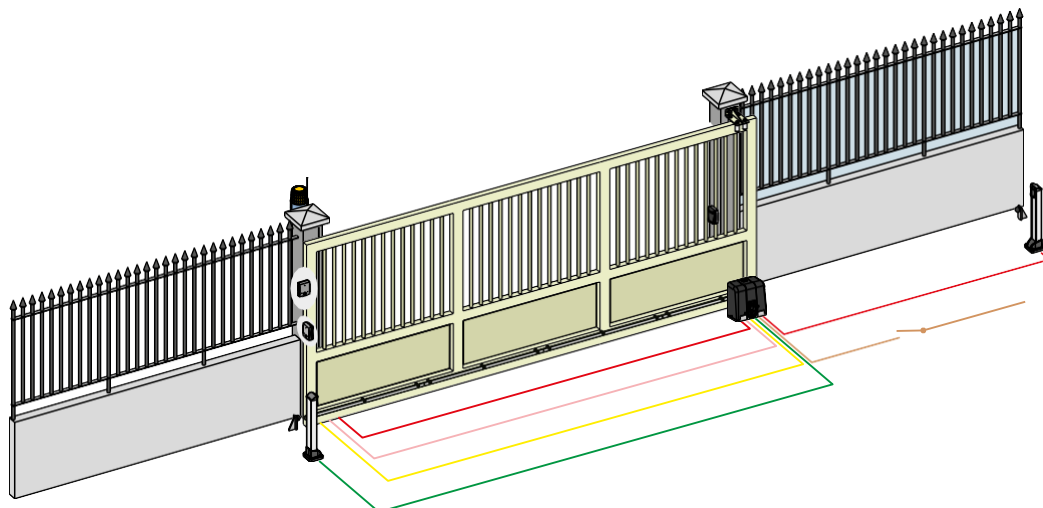


Technical Specifications	Blizzard 400 C ENC
Power supply (V)	230
Electric motor (V)	24
Nominal power (W)	140
Max thrust force (N)	310
Type of pinion gear	Z16 mod.4
Leaf speed (m/min)	12
Use frequency	Continuous
Operating ambient temperature (°C)	-20 +55
Protection class	IP44
Weight (kg)	7

## CONTROL BOARDS

Sprint M24

Page 66



- Line ..... 3x1,5 mm<sup>2</sup>
- Flashing lamp ..... 2x1,5 mm<sup>2</sup>
- Selector ..... 2x0,5 mm<sup>2</sup>
- TX photocells ..... 2x0,5 mm<sup>2</sup>
- RX photocells ..... 4x0,5 mm<sup>2</sup>

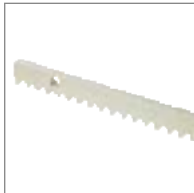
TYPICAL INSTALLATION EXAMPLE

Q.ty	Material description	Part number
1	BLIZZARD 400 C ENC Gearmotor with incorporated control board and encoder	6110080
1	Foundation Plate	737000
4 m	Galvanised Rack 30x12 with weld-on fittings	JA146
1	RQFZ 868 MHz Frequency Module	6100347
1	Two-channels transmitter KILO TX2 JLC	6100332
1	230 V GUARD flashing lamp	6100052
1	Pair of VEGA BUS Photocells	6100148
1	QUICK 1 key-operated selector for outdoor use	JA31101-15

Material to add in order to get the configuration as per Wiring Diagram

Q.ty	Material description	Part number
1	Pair of ORION photocells	JA310
2	Column for photocell	JA325
2	Foundation plate for column	JA328

ACCESSORIES

 <b>RACK</b> 1 m. in galvanised iron 30 x 12 mm <sup>2</sup> .  Code      JA146	 <b>NYLON RACK WITH STEEL CORE 30X20 MOD.4</b> pack of 4 pieces, 1 m ea.  Code      6100344	 <b>SPACERS</b> Kit of 3 spacers and M8x30 screw-on fastening screws for 1 meters of iron rack <sup>2</sup>  Code      JA147	 <b>SPACERS</b> Kit of 3 spacers and M8x50 screw-on fastening screws for 1 meters of iron rack <sup>2</sup>  Code      JA148	 <b>SCREWS</b> Kit screw-in fastening screws for 1m of rack - 4 kit pieces (to be combined with code 6100344)  Code      6100345	 <b>LOCK</b> Lock with personalized key  Code      424413
 <b>FOUNDATION PLATE</b>  Code      737000	 <b>ADAPTER PLATE BLIZZARD-MILORD</b>  Code      737001	 <b>ADAPTER PLATE BLIZZARD-FALCON</b>  Code      737003	 <b>BATTERY KIT</b> With recharging board.  Code      390923		

1 - 6 m package.  
2 - 6 kits package.

# Falcon M14 - M20



Gearmotor body in aluminium painted with polyester powders and protective housing in ABS

Magnetic limit switch entirely protected

## GEARMOTOR FOR SLIDING GATES

- Available version: 230V for gates up to 1400 - 2000 Kg
- Optional Encoder installation for obstacle detection
- Sturdy inner kinematic mechanism made of a bronze crown and steel worm-screw
- Magnetic Limit Switches
- Electronic Control Board with Transparent plastic Enclosure and external programming buttons
- Rotating Panel for easier programming
- Gearmotor body painted with polyester powder.
- User friendly release system protected by personalized key.

Code	Name	Version	Voltage	Leaf Weight	Use
6110002	Falcon M14 C	Non-reversible - integrated Sprint 382	230V	1400 kg	Industrial
6110022	Falcon M20 C	Non-reversible - integrated Sprint 382	230V	2000 kg	Industrial

## OPERATOR DIMENSIONS

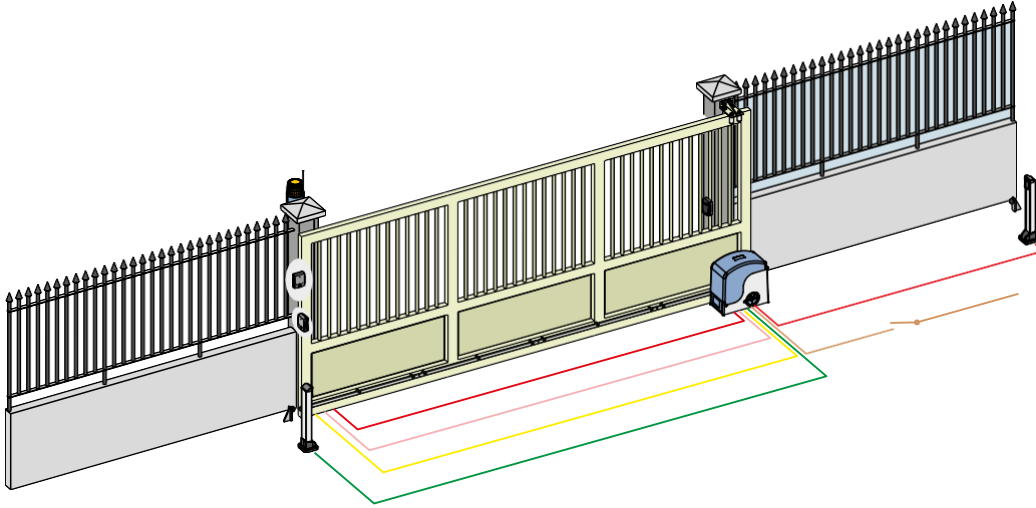


Technical Specifications	Falcon M14	Falcon M20
Power supply (V)	230	
Electric motor (V)	230	
Nominal power (W)	650	800
Current (A)	2.80	3.5
Thermal Protection (°C)	140	
Capacitor (µF)	16	20
Max. torque (Nm)	35	45
Thrust on pinion (daN)	110	150
Type of pinion gear	Z16 mod. 4	
Angular speed (m./min.)	10	
Frequency of use at 20 °C	S3 - 40%	
Operating ambient temperature (°C)	-20 +55	
Protection class	IP44	
Weight (kg)	14	15

## CONTROL BOARDS

Sprint 382

Page 65



- Line .....3x1,5 mm<sup>2</sup>
- Flashing lamp ..... 2x1,5 mm<sup>2</sup>
- Selector..... 2x0,5 mm<sup>2</sup>
- TX photocells ..... 2x0,5 mm<sup>2</sup>
- RX photocells ..... 4x0,5 mm<sup>2</sup>

**TYPICAL INSTALLATION EXAMPLE**

Q. ty	Material description	Part number
1	FALCON M14C Gearmotor with incorporated control board and foundation plate	6110002
4 m	Galvanised Rack 30x12 with weld-on fittings	JA146
1	5-PIN one-channel receiver 868 MHz	6100352
1	Four-Channel Transmitter KILO TX2 JLC	6100332
1	230V GUARD Flashing Lamp	6100052
1	VEGA Photocells	6100147
1	QUICK 1 key-operated selector for outdoor use	JA31101-15

Material to add in order to get the configuration as per Wiring Diagram

Q. ty	Description	Part number
1	Pair of ORION photocells	JA310
2	Column for photocell	JA325
2	Foundation plate for column	JA328

**ACCESSORIES**



**RACK**  
1 m. in galvanized iron 30 x 12 mm<sup>1</sup>.

Code JA146



**SPACERS**  
Kit of 3 spacers and M8x30 screw-on fastening screws for 1 meters of iron rack<sup>2</sup>

Code JA147



**SPACERS**  
Kit of 3 spacers and M8x50 screw-on fastening screws for 1 meters of iron rack<sup>2</sup>

Code JA148



**ENCODER**  
Grants a more precise motor control and enables a reactive reverse on obstacle

Code 6100013

1 - 6 m package.  
2 - 6 kits package.



Automated systems for  
**SWING GATES**



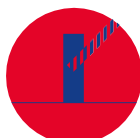
Automated systems for  
**SLIDING GATES**



Automated systems for  
**GARAGE DOORS AND SHUTTERS**



Automated systems for  
**INDUSTRIAL DOORS**



**AUTOMATIC BARRIERS**



Sediu Social: Bucuresti, str Eraclie Arion nr 4, Sector 1.

Str. Drumul Garii Otopeni, nr 4, Otopeni

Tel: [+4021 200 30 40](tel:+40212003040) E-mail: [vanzari@sielinvest.ro](mailto:vanzari@sielinvest.ro)

Str. Buna ziua, nr 34-36, etaj 1, Cluj-Napoca

Tel: [+4036 480 26 60](tel:+40364802660) E-mail: [cluj@sielinvest.ro](mailto:cluj@sielinvest.ro)